



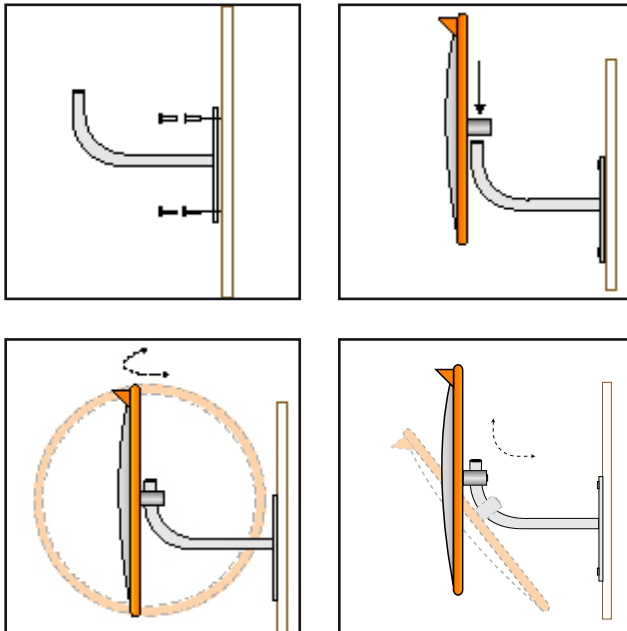
DuraVision™ Convex Mirror Installation Guide:



Outdoor DeLuxe Stainless Steel

Wall Mounting with J-Bracket: (300mm - 600mm Size Only)

1. Decide the appropriate place to site the mirror to give maximum vision.
2. Fix J-Bracket to wall or ceiling using suitable fixing hardware (ie: screws, bolts). Allowing enough room to get the mirror on to the J-Bracket.
3. Slide the adaptor and mirror over the J-Bracket and adjust mirror to the desired position.
4. Tighten the Grub Screw in the adaptor securely with the supplied Allen Key.



Installation Guides:

- ▶ Indoor Standard Convex Mirror
- ▶ Indoor Space Saver Convex Mirror
- ▶ Indoor Ceiling Dome Convex Mirror
- ▶ Indoor Half Dome Convex Mirror
- ▶ Indoor Quarter Dome Convex Mirror
- ▶ Outdoor Heavy Duty Convex Mirror
- ▶ [Outdoor De Luxe Convex Mirror](#)
- ▶ Outdoor Pro Series Convex Mirror
- ▶ Inspection Convex Mirrors
- ▶ Food Processing Convex Mirrors
- ▶ School Mirror Set
- ▶ Corrections Dome With Frame
- ▶ Corrections Half Dome With Frame
- ▶ Corrections Quarter Dome With Frame

Cleaning Guides:

- ▶ Acrylic Mirror
- ▶ Stainless Steel Mirror
- ▶ Polycarbonate Mirror

DuraVision™ Mirror Systems

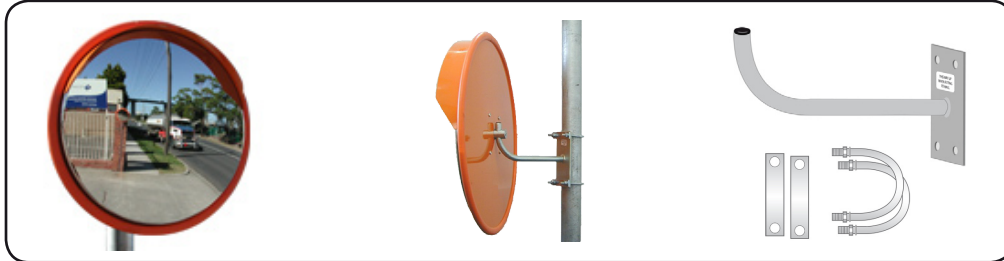
Find our more about the great range of DuraVision Mirror Systems at our website...



www.duravision.net



DuraVision™ Convex Mirror Installation Guide:



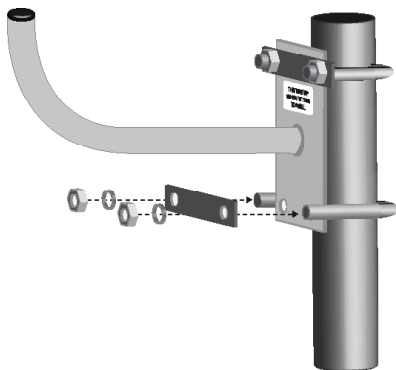
Installation Guides:

- ▶ Indoor Standard Convex Mirror
- ▶ Indoor Space Saver Convex Mirror
- ▶ Indoor Ceiling Dome Convex Mirror
- ▶ Indoor Half Dome Convex Mirror
- ▶ Indoor Quarter Dome Convex Mirror
- ▶ Outdoor Heavy Duty Convex Mirror
- ▶ [Outdoor De Luxe Convex Mirror](#)
- ▶ Outdoor Pro Series Convex Mirror
- ▶ Inspection Convex Mirrors
- ▶ Food Processing Convex Mirrors
- ▶ School Mirror Set
- ▶ Corrections Dome With Frame
- ▶ Corrections Half Dome With Frame
- ▶ Corrections Quarter Dome With Frame

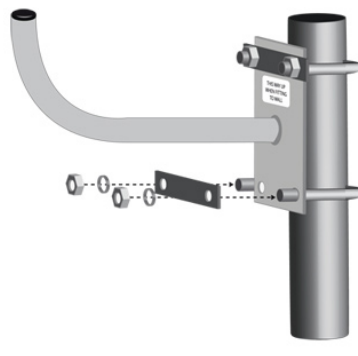
Outdoor DeLuxe Stainless Steel

Pole Mounting with U-Bolts: (300mm - 600mm Size Only)

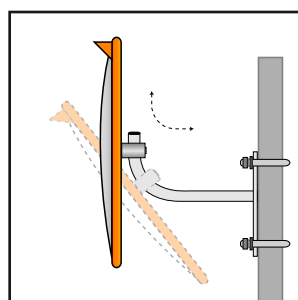
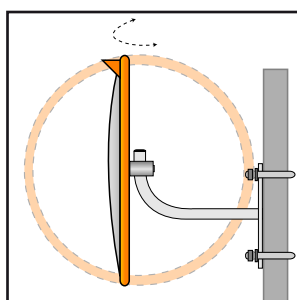
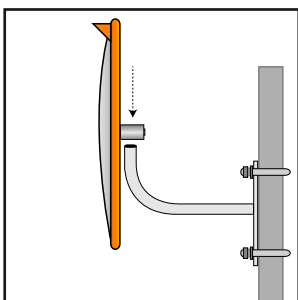
1. Choose a 75mm Round pole to attach the U-Bolts to.
2. **300mm - 450mm** diameter mirrors: - Thread the U-Bolts **around** the J-Bracket and through the U-Bolt Flat Plate.
600mm diameter mirrors: - Thread the U-Bolts through **one side** of the J-Bracket and then through both sides of the U-Bolt Flat Plate.
3. Thread the Washer and Nut onto the U-Bolts and tighten.
4. Slide the adaptor and mirror over the J-Bracket and adjust mirror to the desired position.
5. Tighten the Grub Screw in the adaptor securely with the supplied Allen Key.



300mm - 450mm Dia. Size
U-Bolt does NOT thread through the J-Bracket



600mm Dia. Size
U-Bolt threads through ONE SIDE of the J-Bracket



Cleaning Guides:

- ▶ Acrylic Mirror
- ▶ Stainless Steel Mirror
- ▶ Polycarbonate Mirror

DuraVision™ Mirror Systems

Find out more about the great range of DuraVision Mirror Systems at our website...



www.duravision.net